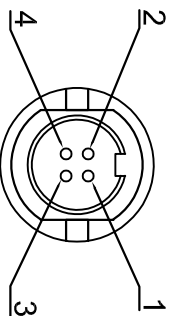
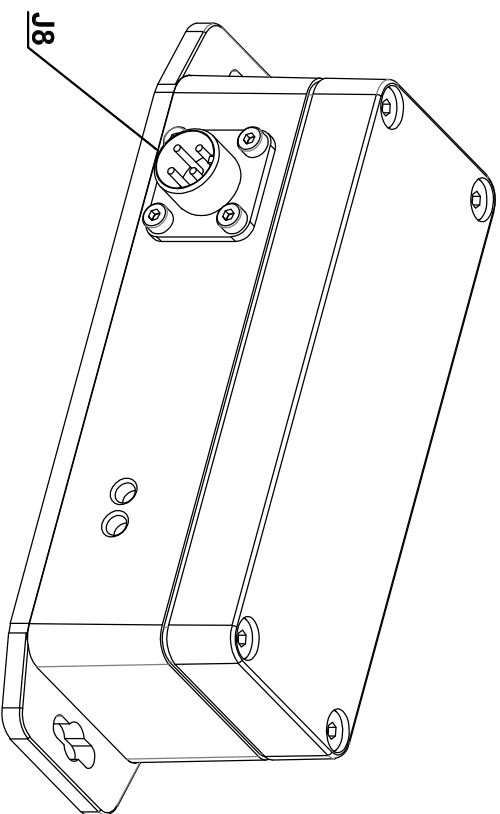


Glance COMPASS



J8 (RST4TV)

Connector	PIN	Description
J8	1	GND
	2	CAN Low
	3	CAN High
	4	Power supply (9-35v)

Modifications		Name	Date	Description	Page	
Name	Date	edit:				
		check:		Glance COMPASS Schematic no. GA.OE.H020.010.190001	1	
		Norm:			of	1
						1