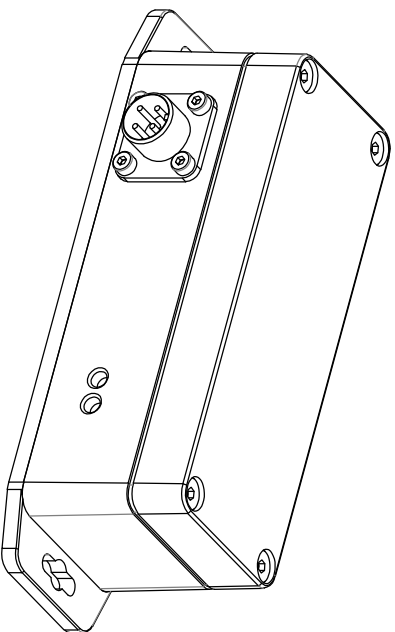
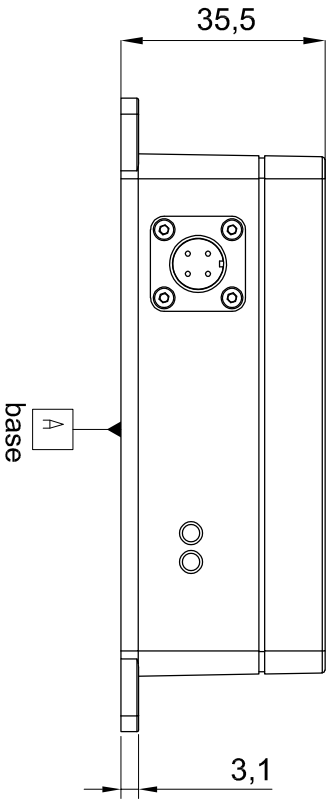
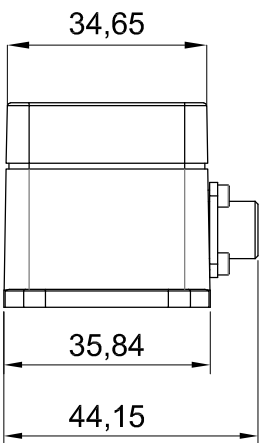
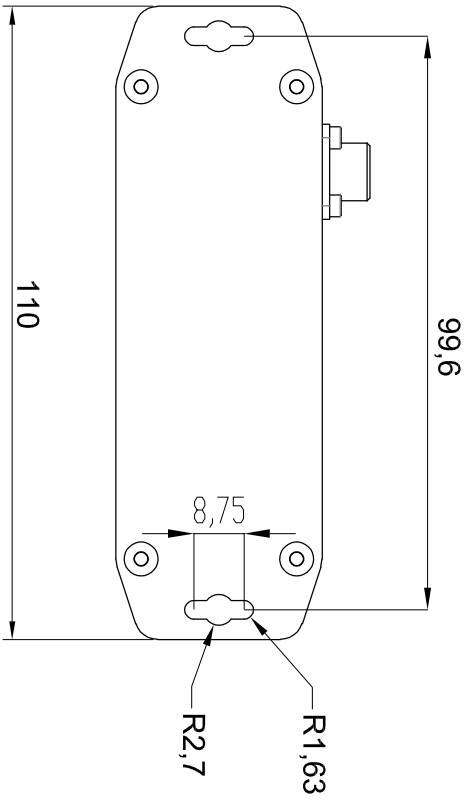


Glance COMPASS



Modifications		Name	Date	Description		Page
Name	Date	edit:	check:	Glance COMPASS		1
		Norm:		Schematic no.		of
				GA.OP.H020.010.190001		1