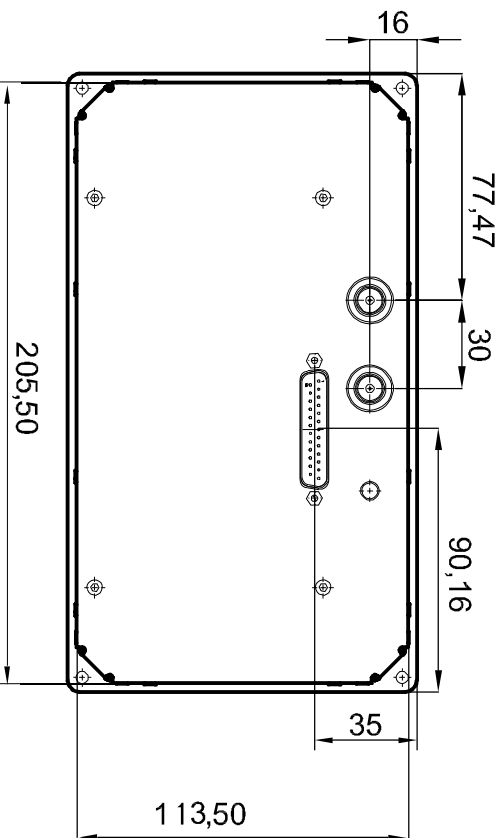
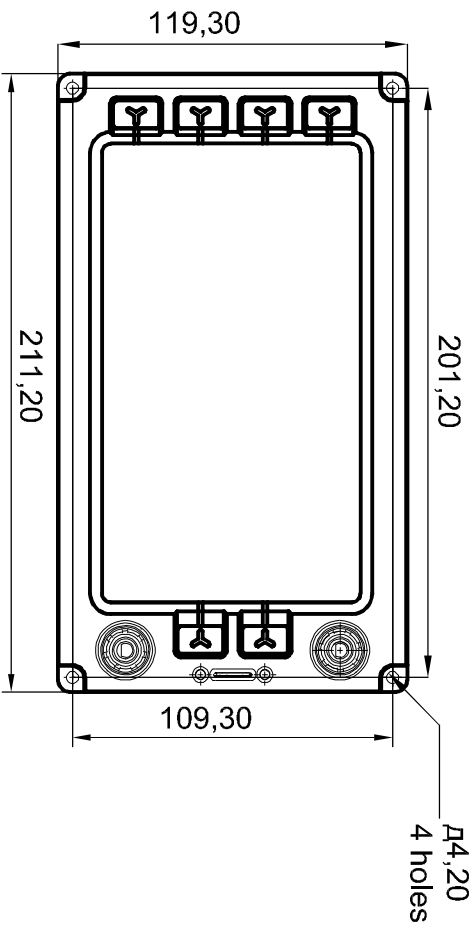
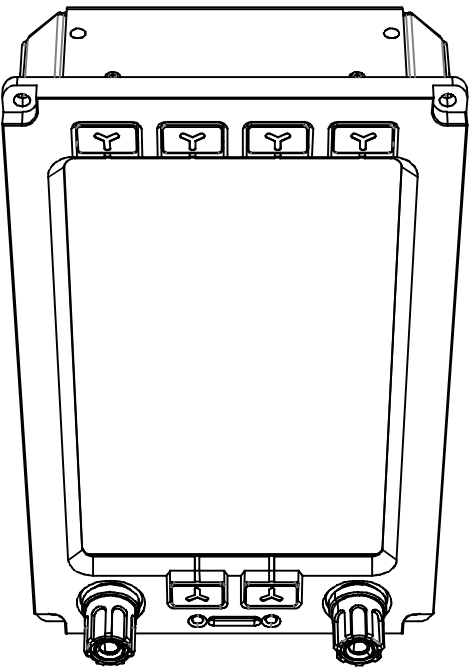
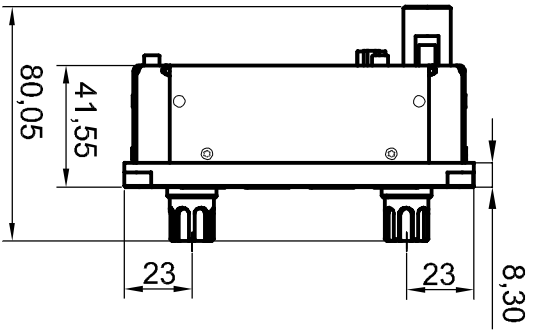


Glance EFIS 207H



Modifications		Name		Date		Description	
Name	Date					Glance EFIS 207 V	
				edit:		Schematic no. GA.OP.F207.000.190001	
				check:			
				Norm:			
						Page	
						1	
						of	
						1	