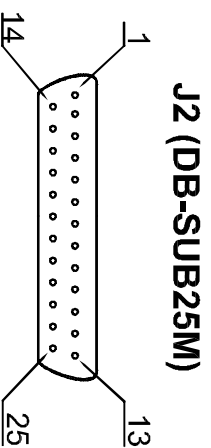
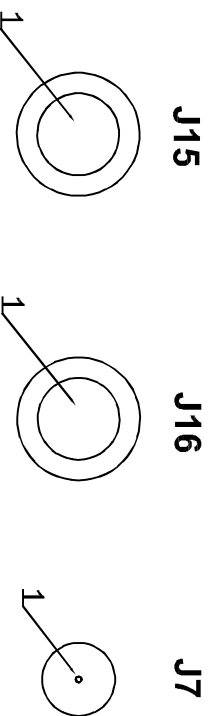
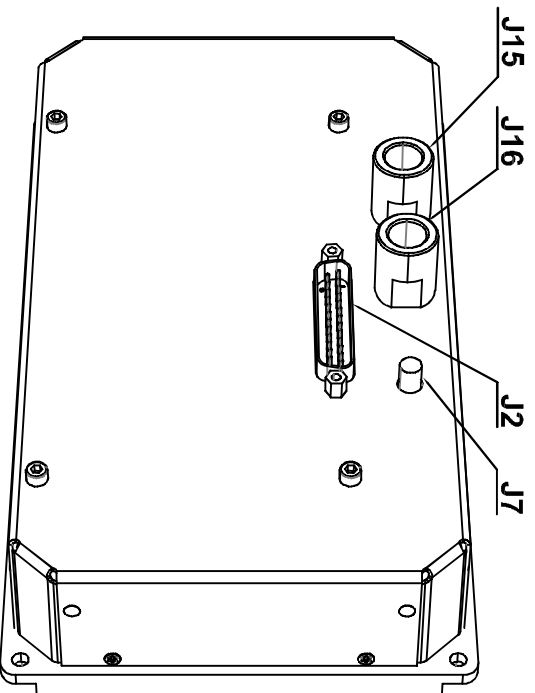


Glance EFIS 207 V



Connector	PIN	Description
J7	1	GPS
	2	GND
J15	1	Pilot
J16	1	Stat

Connector	PIN	Description
J2	1	GND
	2	GND
	3	OAT sensor
	4	--
	5	--
	6	--
	7	--
	8	CAN1 High
	9	CAN1 Low
	10	--
	11	--
	12	--
	13	--
	14	--
	15	AVX N
	16	AVX P
	17	--
	18	--
	19	CAN2 High
	20	CAN2 Low
	21	GND CAN
	22	--
	23	Power Reserv
	24	Power Reserv
	25	Main Power

Modifications		Name	Date
Name	Date		
edit:			
check:			
Norm:			

Description		Page
Glance EFIS 207		1
Schematic no.		of
GA.0E.F207.000.190001		1