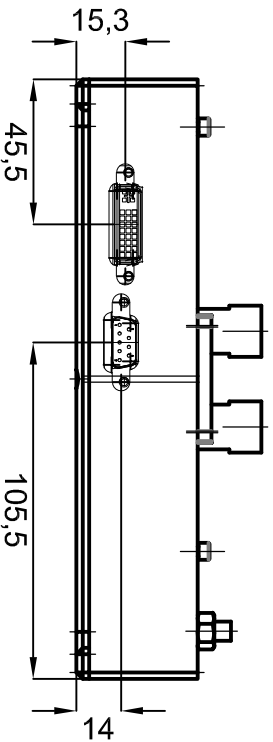
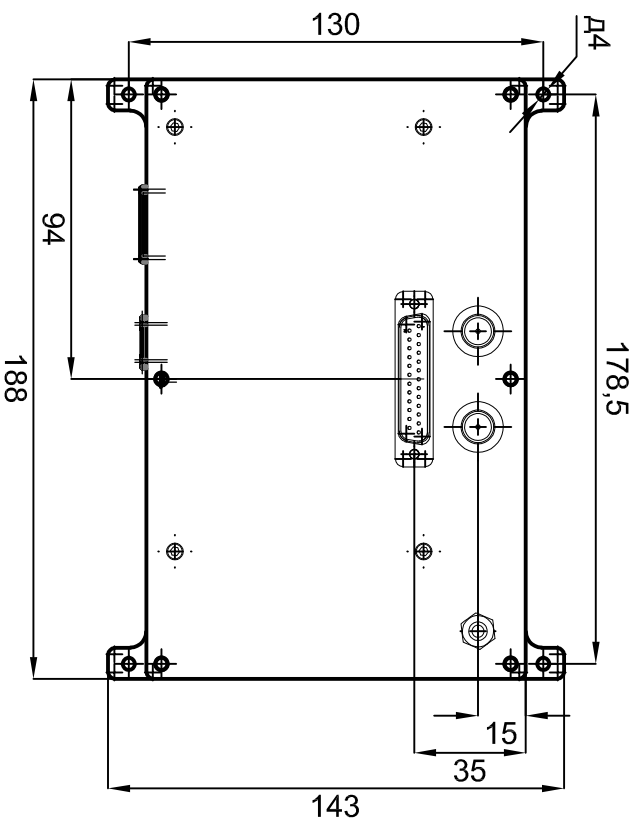
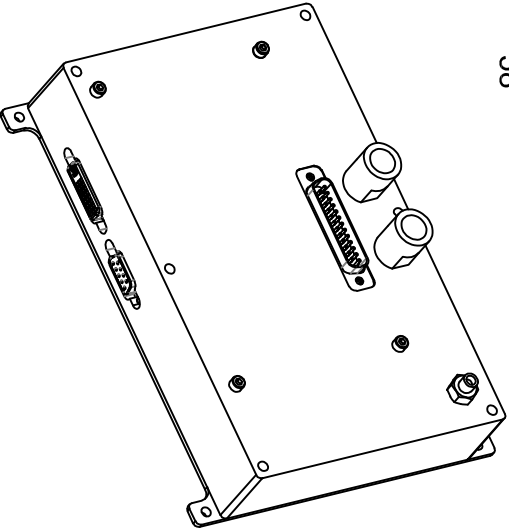
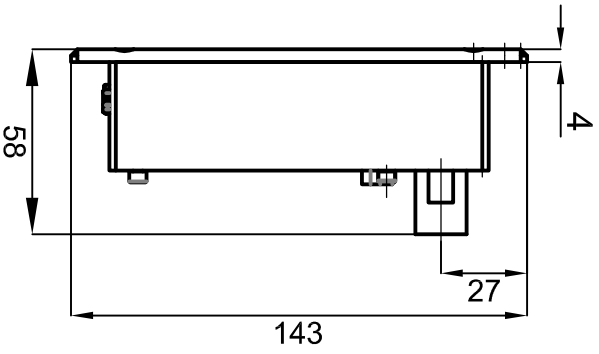


# Glance EFIS 210 V



Modifications		Description	
Name	Date	Name	Date
	edit:	Glance EFIS 210 V	
	check:		
	Norm:		
Schematic no.		GA.OP.F210.111.190001	

Page	
of	1
1	1