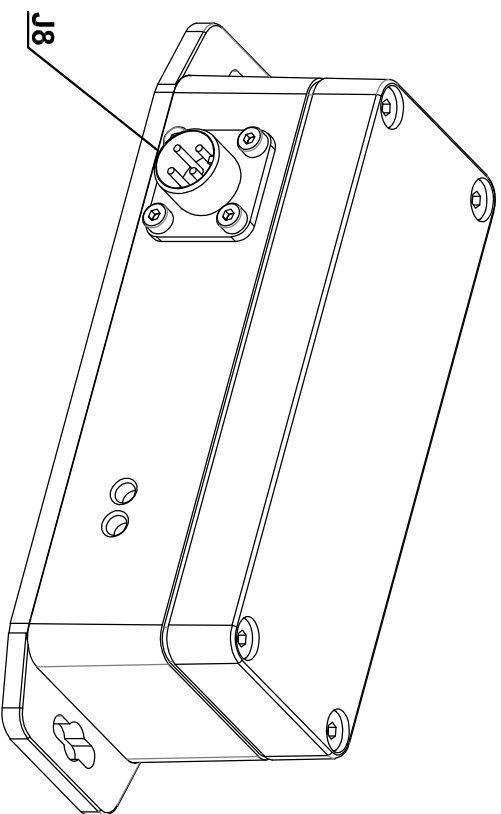
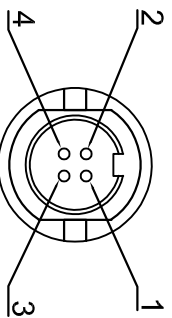


Glance AHRS



Connector	PIN	Description
J8	1	GND
	2	CAN Low
	3	CAN High
	4	Power supply (9-35V)

J8 (RST4TV)



Modifications		Name	Date	Description	Page
Name	Date	edit:			
		check:		Glance AHRS	1
		Norm:			
				Schematic no.	
				GA.OE.H010.050.190001	1